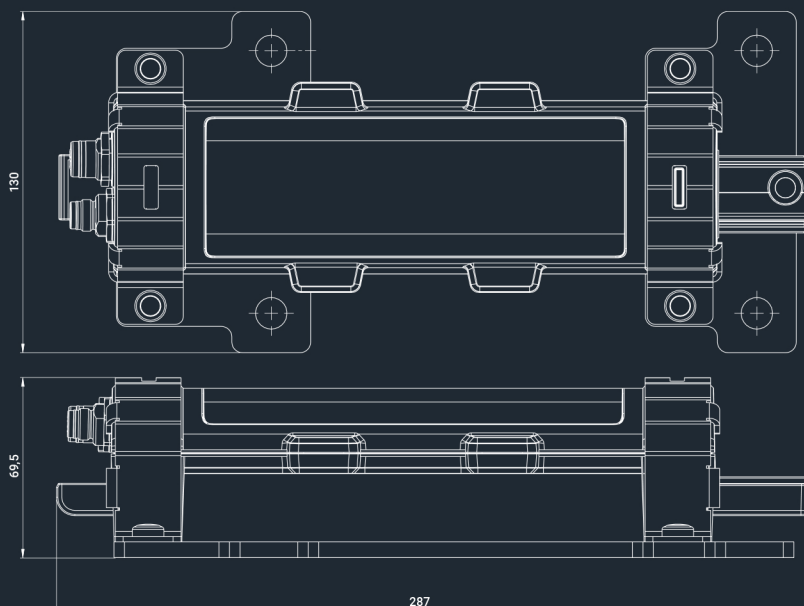
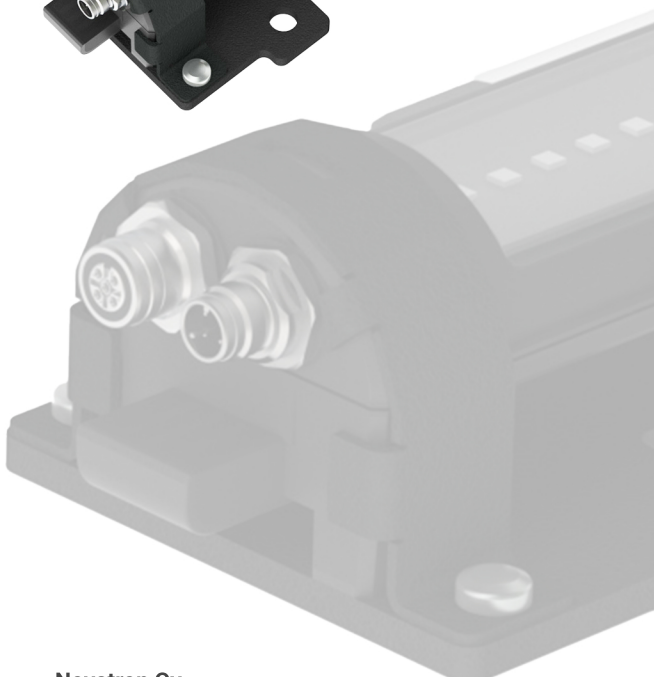
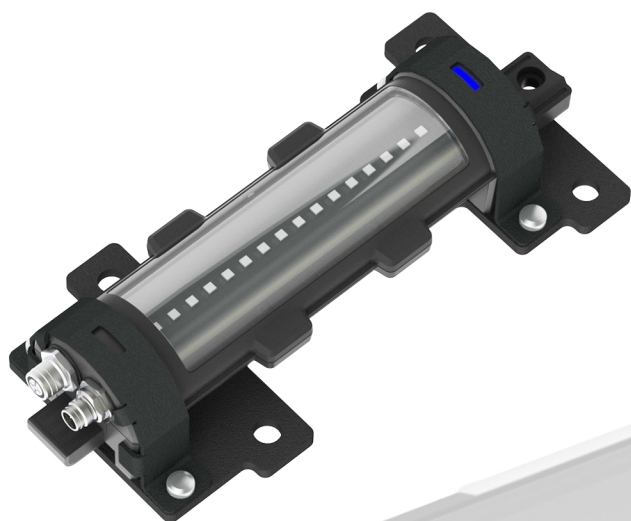


# EL3+

## LASER RECEIVER

The EL3+ laser receiver has a clear, durable, and compact design. Its shockproof mounting and easy-to-reach connector placement make it an optimal choice for rough environments. The LED status indicator and wide receiving area offer ease of use for the operator.

The EL3+'s durable, rugged design is protected with an elastomer material to decrease vibration. The device has an IP69K classification to keep it safe from water and dust.



### Specifications

Weight	1,52Kg
IP Classification	IP 69K
Operating temperature	-40 °C...+85 °C
Fire resistance	V-1
Chemical resistance	According ISO 16750-5
LED	Blue status LED
Power requirements	9-36VDC Current consumption <300mA (100mA/24V)
Interfaces	2x CAN bus connectors • 125kbit - 1Mbits/s

### Features

Receiving angle	150°
Receiving area	150mm
Precision	5mm (Resolution is 1mm)
Compatible lasers	All rotating lasers with visible or infra-red light: wavelength 600-800nm, rotating speed 120-1200 revolutions per minute.
Measuring range (from rotating laser)	2 -300m (Depending on the rotating laser type)